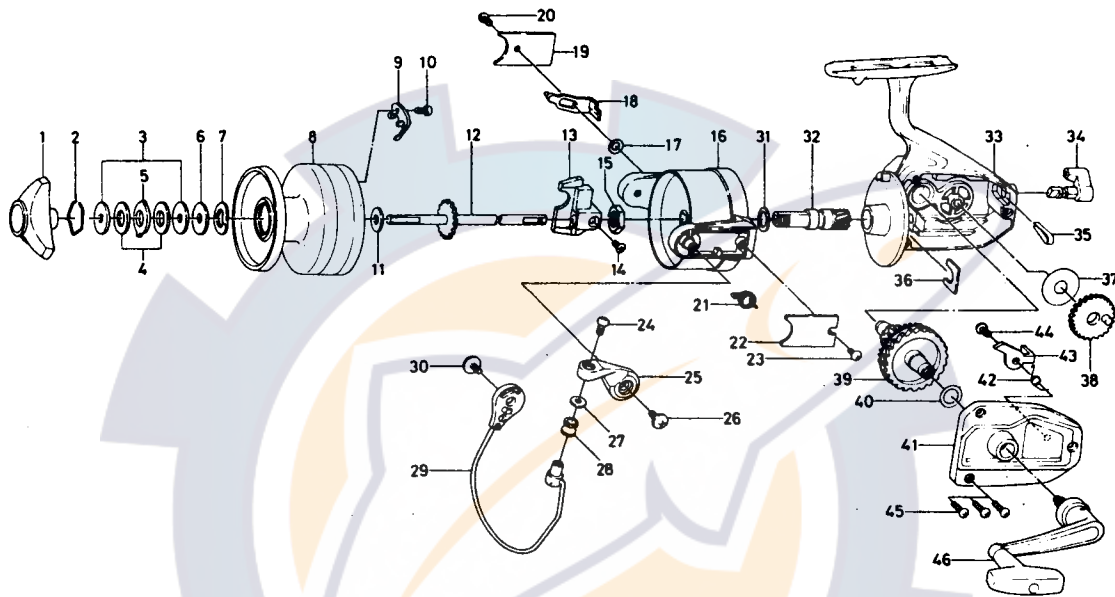




SPINNING REEL J-40



Key No.	Parts No.	Parts Name	Key No.	Parts No.	Parts Name
1	B63-2601	Drag knob	24	B11-2801	Bail screw
2	170-4511	Drag washer retainer	25	B19-7302	Arm lever
3	372-7812	Drag D washer	26	352-1103	Arm lever screw
4	372-9012	Disc washer	27	B59-9501	Bail washer
5	375-5401	Drag A washer	28	250-4501	Line roller
6	372-7701	Drag washer A	29	B63-1001	Bail
7	150-8401	Drag spring washer	30	352-1103	Bail holder screw
8	B63-2401	Spool	31	B63-0701	Pinion washer
9	030-4411	Spool click claw	32	B63-0501	Pinion gear
10	351-6102	Spool click claw screw	33	B63-0201	Body
11	376-1701	Spool washer	34	B66-2301	Anti-reverse lever
12	B63-1401	Main shaft	35	B11-4302	Anti-reverse lever spring
13	481-1011	Oscillating support	36	B63-1201	Pinion retainer
14	351-8901	Oscillating support screw	37	374-5400	Oscillating gear adjusting washer
15	342-5001	Rotor nut	38	412-3611	Oscillating gear
16	B63-0601	Rotor	39	B63-1301	Drive gear
17	B47-9501	Tension spring	40	371-6400	Drive gear adjusting washer
18	B63-0801	Bail kick lever	41	B63-1601	Body cover
19	B63-0901	Bail kick lever cover	42	B60-1601	Anti-reverse claw spring
20	352-0402	Bail kick lever cover screw	43	B63-1901	Anti-reverse claw
21	B19-7201	Bail spring	44	351-6102	Anti-reverse claw screw
22	634-6801	Bail spring cover	45	351-5904	Body cover screw
23	352-0402	Bail spring cover screw	46	B63-2101	Handle